

Resilient and functional steady support.
Leanable



MODEL **AXX-WM-T2360**

FEATURES



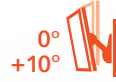
ULTRA SLIM



23" to 60"



88 lbs - 40 Kgs



0° to +10°



COMPATIBLE



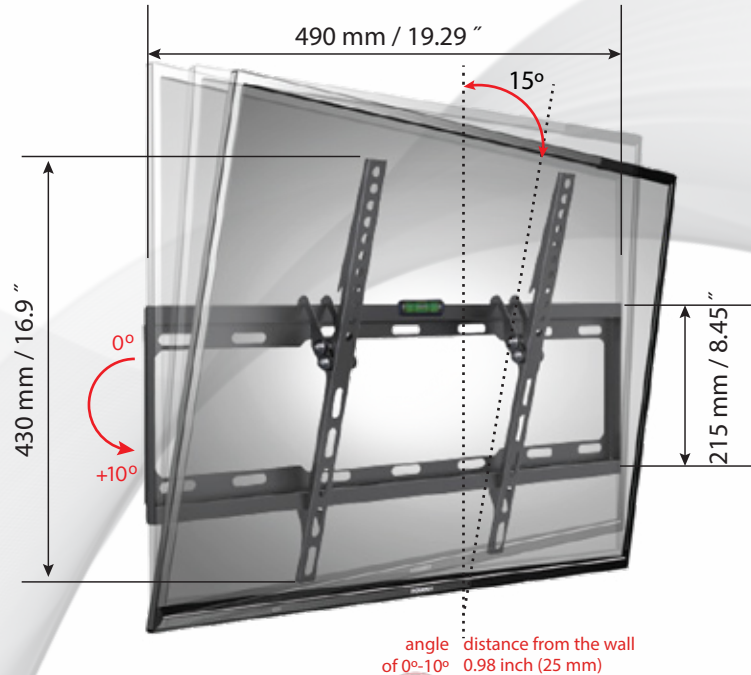
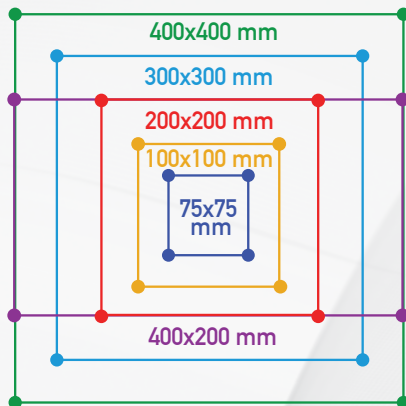
LEVEL BUBBLE

- Designed for LCD TV / LED from 23 "to 60"
- Compatible with VESA Measurements 75x75 100x100 200x200 300x300 400x200 400x400
- Inclination Angle: 0 ° to + 10 °
- Bubble level system included
- Maximum weight load: 40kgs.
- Strong steel structure with an anti-oxidant finish

VESA MOUNTING PATTERN

COMPATIBLE WITH THE
MEASUREMENTS (mm.)

75 x 75 / 100 x 100
200 x 200 / 400 x 200
300 x 300 / 400 x 400



LEGAL: the technical, commercial and content usage data in this file and it's security sheets are true and represent the general features of the product, usage and performance and any modifications, alterations or improper handling of the product is not a responsibility of the manufacturer, therefore the present and future risks and responsibilities of the product go to the user.

