

Endurable and functional rotating screen support.  
Tilttable



MODEL **AXX-WM-T3280**

## FEATURES

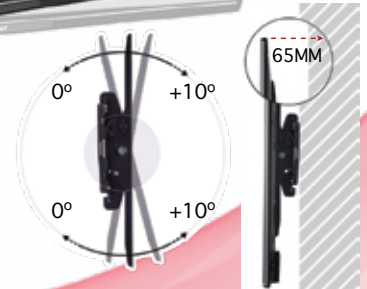
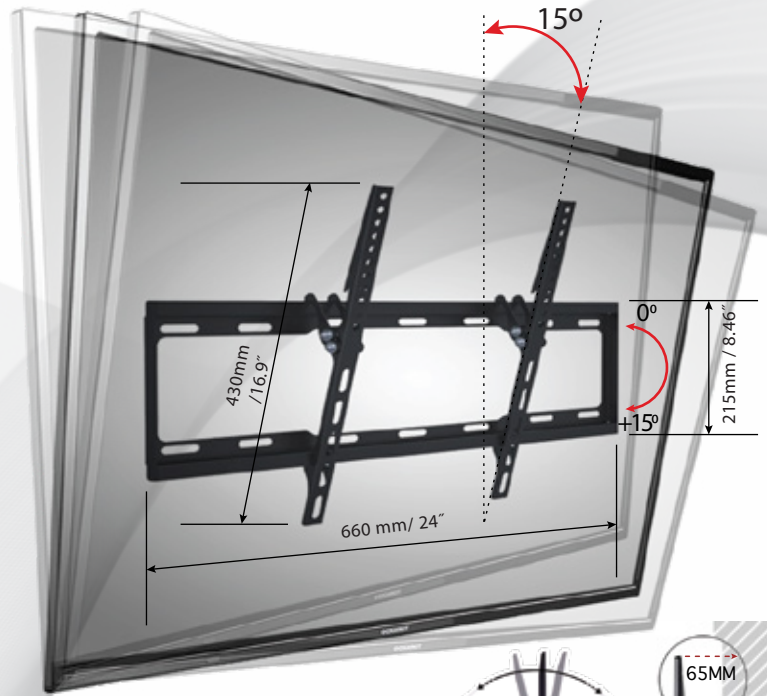
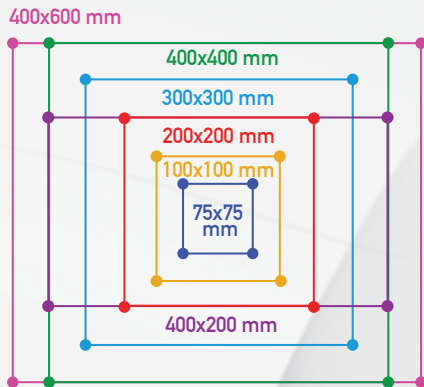


- Designed for LCD TV / LED from 32" to 80"
- Angle of inclination 0° to +10°
- Compatible with LCD / LED / Plasma TV
- Bubble level system included
- Compatible with VESA Measurements 75x75, 100x100, 200x200, 300x300, 400x200, 400x400, 600x400
- Maximum weight load: 45kgs.
- Strong steel structure with an anti-oxidant finish

## VESA MOUNTING PATTERN

COMPATIBLE WITH THE MEASUREMENTS (mm.)

- 75 x 75 / 100 x 100
- 200 x 200 / 400 x 200
- 300 x 300 / 400 x 400
- 400 x 600



LEGAL: the technical, commercial and content usage data in this file and its security sheets are true and represent the general features of the product, usage and performance and any modifications, alterations or improper handling of the product is not a responsibility of the manufacturer, therefore the present and future risks and responsibilities of the product go to the user.